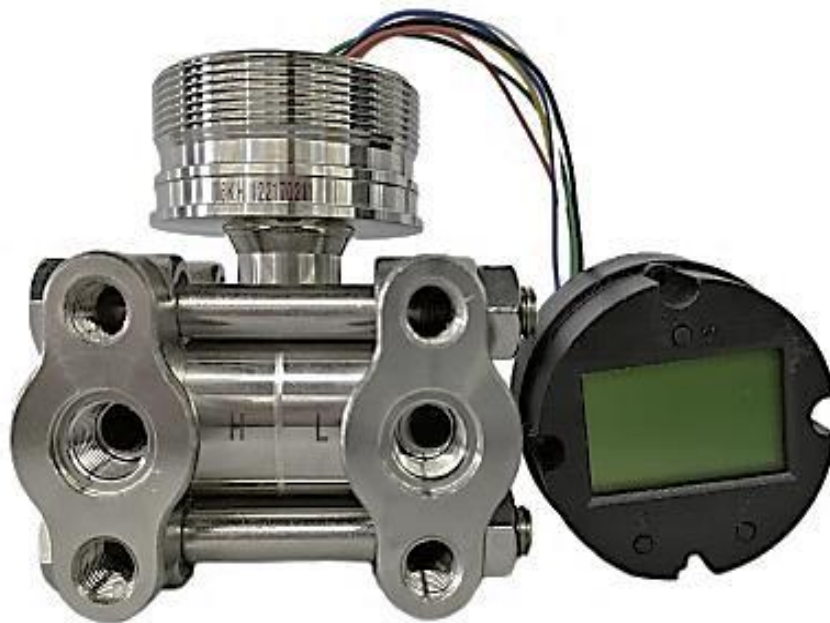


HS-DPS-B-J Monocrystalline Silicon Differential Pressure Module



Nanjing Hangjia Electronic Technology Co.,Ltd.

Overview

The HS-DPS-B-J Differential Pressure Module is a high performance pressure transmitter using the world's most advanced single crystal silicon pressure sensor technology and packaging process. It features a double overload protection diaphragm design and internal circuitry with surge protection for accurate measurement of gauge pressure, absolute pressure, flow, vacuum, level and density.

It is suitable for process control in the petroleum, chemical, metallurgical, electric power, food, paper, pharmaceutical, machinery manufacturing, scientific experiments and aviation and military industries.

Features

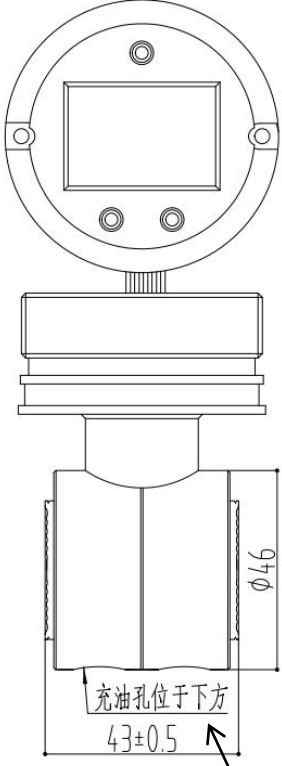
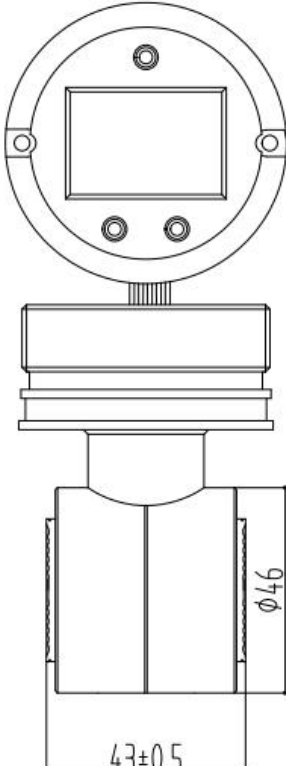
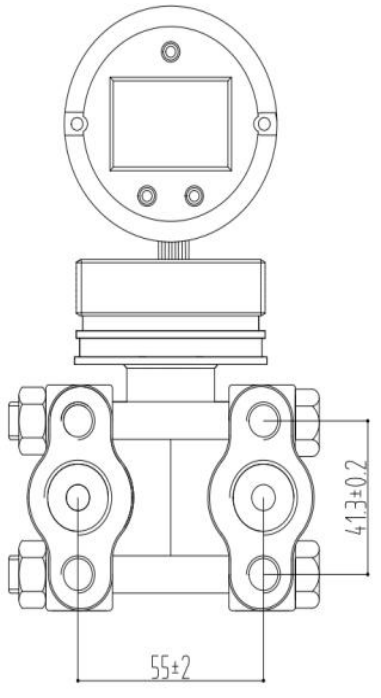
- Advanced single crystal silicon differential pressure sensor
- Wide range coverage -0.1~3MPa
- Two-wire system, 4~20mA, HART protocol
- Intelligent LCD with backlight
- Remote transmission and local zero and range adjustment
- Complete range, high accuracy, good stability
- High static pressure and high overload protection
- Double overload protection diaphragm design

Parameters

Measuring Range	$\pm 1\text{kPa}$; $\pm 6\text{kPa}$; $\pm 40\text{kPa}$; $\pm 100\text{kPa}$; $\pm 250\text{kPa}$; $-100\text{kPa}\sim 1\text{MPa}$; $-100\text{kPa}\sim 3\text{MPa}$
Power Supply	24VDC
Output Signal	4~20mA+HART
Accuracy	$\pm 0.2\%\text{FS}$, $0.1\%\text{FS}$. Based on pressure range.

Temperature drift	$\pm 0.5\%FS$ ($\pm 1kPa$); $\pm 0.3\%FS$ ($\pm 6kPa$); $\pm 0.25\%FS$ (others customized pressure range) $-20^{\circ}C \sim 70^{\circ}C$
Ambient Temp	$-30^{\circ}C \sim 80^{\circ}C$
Medium Temp	$-40^{\circ}C \sim 125^{\circ}C$
Static Pressure	$\pm 1kPa$, $\pm 6kPa$, $\pm 40kPa$ Hydrostatic pressure resistance 16MPa; $\pm 100kPa$; $-100 \sim 250kPa$ Hydrostatic pressure resistance 25MPa; $-0.1 \sim 1MPa$; $-0.1 \sim 3MPa$ Hydrostatic pressure resistance 40MPa;
Single-sided overload	16MPa
Long-term Stability	0.1%FS/year
Diaphragm material	316L, Hastelloy C
Air and liquid discharge valve	304, 316L
O-ring	Silicone rubber
Sealing fluid	Silicone oil
Clamp block	304, 316L

Dimension(unit:mm)

HS-DPS-B ±1kPa	HS-DPS-B (Other Pressure range)	HS-DPS-B-J Assembled clip block
 <p>充油孔位于下方 43±0.5</p>	 <p>43±0.5</p>	 <p>41.3±0.2 55±2</p>

The oil filling hole is located below

Ordering Guide

Model No.	Type				
HS-DPS-B-J	Monocrystalline Silicon Differential Pressure Module				
	Code	Pressure range			
	(0-X)Kpa	Fill out directly			
		Code	Thread Spec		
		P17	M27*2		
		H9	M45*1.5		
		H10	M56*1.5		
		G55	55-16 Thread		
			Code	Seal Diaphragm	
			S6	316L	
			HC	Hastelloy C	
				Code	Filing Liquid
				S	Silicone Oil
					Code
					Clamp block
				S4	304
				S6	316L
Ex: HS-DPS-B-J	1Kpa	P17	S6	S	S4