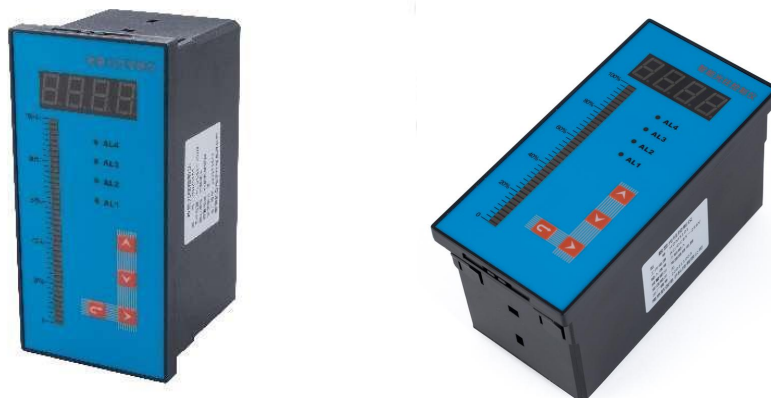


HDM5101 Intelligent digital display light column controller



Nanjing Hangjia Electronic Technology Co., Ltd.

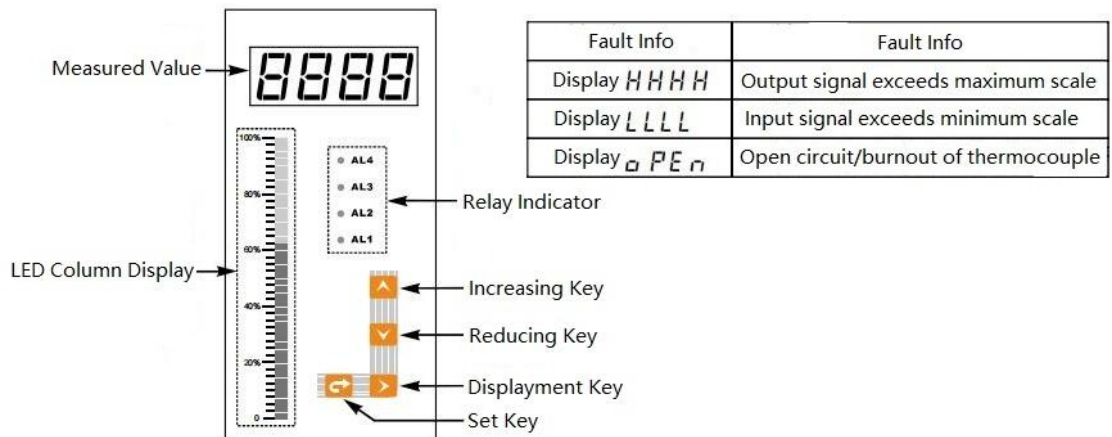
Product Introduction

The intelligent Light Column display controller adopts advanced micro-processing for intelligent control, applicable to various physical values such as temperature, pressure, humidity, liquid level, flow, speed, display and control of detection signals; it uses industrial-grade ARM single-chip microcomputer, American power management chip, which make it work long-term and reliable; Full-scale measurement of thermal resistance and thermocouple, standard current and standard voltage range can be set arbitrarily; the 40-segment super-bright LED analog light bar indicates the measured value in percentage, especially suitable for liquid level and material level display; four-way relay alarm output, upper limit, lower limit, four alarm modes within and outside the interval are optional; it can be used as the control mode of over lower limit, lower limit, upper limit and over upper limit to meet various on-site requirements; high-speed analog transmission output, optional transmission range, compatible with various analog acquisition modules.

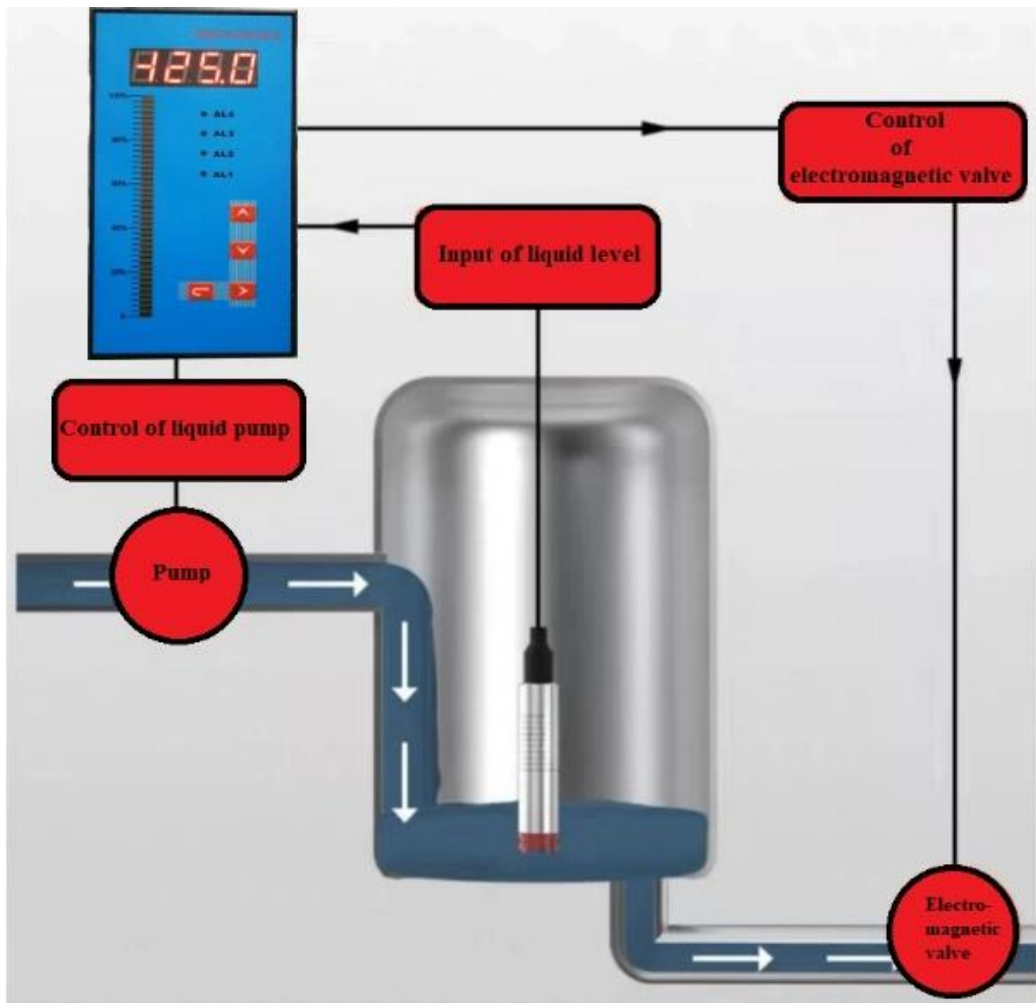
Application: underground water measured, tank water, Liquid level and material level display, switch control and alarm.

Features

1. Display panel appearance



2. Application and function



3. Technical parameter

- 3.1 Power supply: AC/DC86~265V / DC24V
- 3.2 Measurement accuracy: 0.2%FS
- 3.3 Transmission accuracy: 0.5%FS
- 3.4 Sampling rate: 5/sec
- 3.5 Input signal

Input Signal	Code	When thermal resistance or thermocouple selected, the range will be displayed automatically according to the standard range, and the controller will hide the DOT PL and PH parameters automatically. The value error can be corrected by the two parameters of PSBL and PSBH.	Input Signal	Code
T type thermocouple	<i>t-t</i>		Cu50 thermocouple	<i>Cu50</i>
R type thermocouple	<i>t-r</i>		0-375Ω	<i>375</i>
J type thermocouple	<i>t-J</i>		DC0-75mV	<i>075</i>
WAR325 thermocouple	<i>t-W</i>		DC0-30mV	<i>030</i>
B type thermocouple	<i>t-b</i>		DC0-5V	<i>5u</i>
S type thermocouple	<i>t-S</i>		DC0-10V	<i>10u</i>
K type thermocouple	<i>t-K</i>		DC0-20mA	<i>020</i>
E type thermocouple	<i>t-E</i>		DC0-10mA	<i>010</i>
Pt100 thermocouple	<i>P100</i>		DC4-20mA	<i>420</i>
Cu50 thermocouple	<i>Cu50</i>	Manual output	<i>ouE</i>	

3.6 Analog light column: 40-segment LED indication

3.7 Feed output: DC24V/50mA (precision voltage regulation, with output short circuit protection)

3.8 Transmitting output: 0~20mA, 4~20mA, 0-10V

3.9 Communication: RS485 (RTU protocol)

3.10 Relay contact: AC250V 7A

3.11 Working temperature: -10~50°C

4. Wire connection

